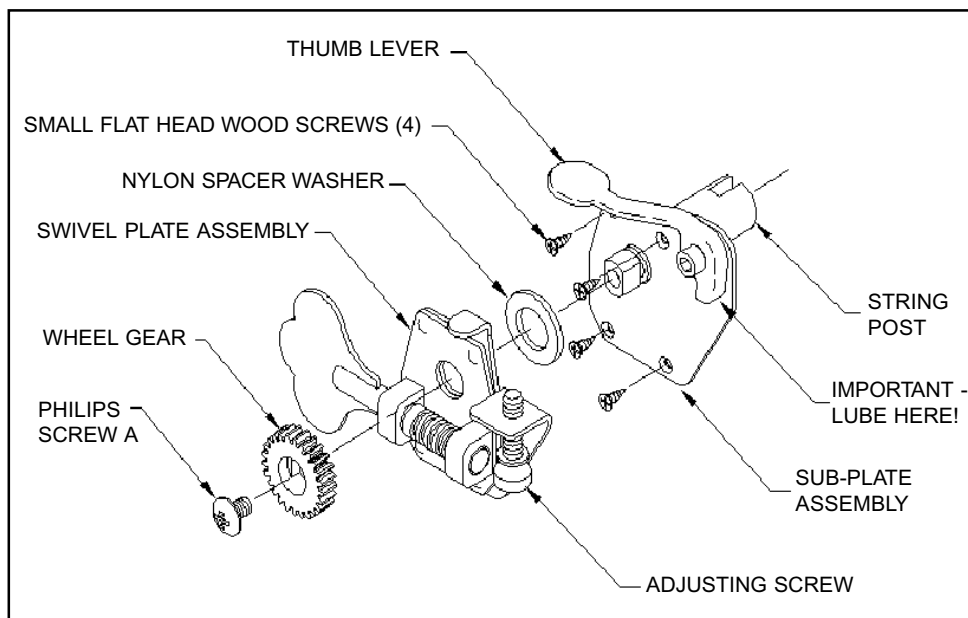


INSTALLATION INSTRUCTIONS FOR HIPSHOT BASS EXTENDER KEY

Types: BT-1, BT-2, BT-3, Y-1, Y-2, or similar



(Please read through instructions completely before beginning your installation.)

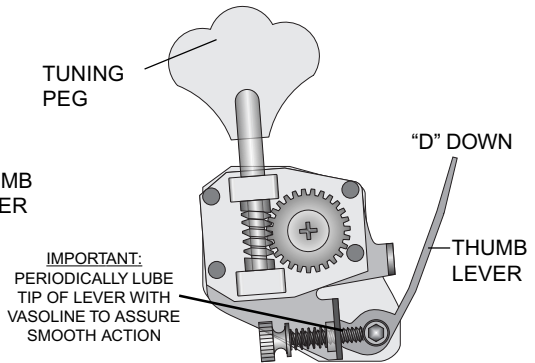
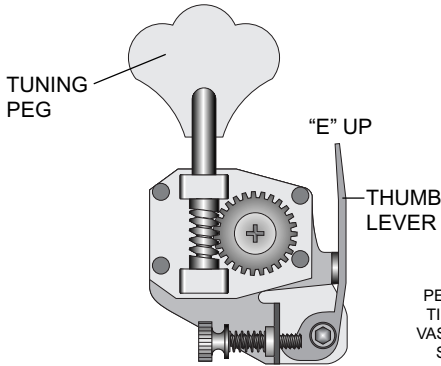
1. Remove tuning machine leaving guide bushing in place. You will find this bushing pressed in to the front of the peg head.
 4. Reassemble tuner being sure nylon spacer washer is in place.
2. Disassemble Bass Extender Key by removing Phillips screw A. Carefully pull wheel gear off string post. Be sure not to lose nylon spacer washer.
 5. **IMPORTANT!** With Vaseline or light grease lubricate the end of thumb lever which cams on sub plate.
3. Insert string post through bass peg head to align sub plate. Secure sub plate to bass using small flat head wood screws provided. The sub plate must hold tightly attached to the surface of the bass head, without any loose movement. If the original holes do not match those on the sub plate or
 6. Be sure to follow Hipshot Extender Key Tuning Instructions for accurate tuning.

HIPSHOT
PRODUCTS, INC.

www.mayones.com

HIPSHOT EXTENDER KEY TUNING INSTRUCTIONS

IMPORTANT! FOR PRECISE TUNING USE THE FOLLOWING PROCEDURE:



First tune the “E” note:

With the thumb lever in the up (“E”) position, tune the string up to “E”.

Always tune from flat up to pitch.

Now flip the thumb lever down and back up to settle the string. Check the tuning. If the string has settled sharp, correct by dropping the string pitch down to about “E-FLAT” and then bring it back up but this time leave it slightly flat. Flip the thumb lever down and up one time and recheck tuning.

If the pitch is still flat, give the tuning peg a very small turn, flip the lever down and back up, and recheck your tuning again. If you overshoot, back down and repeat the procedure.

Remember that tuning problems may also be caused by a bad quality or poorly notched nut. It is advised to install a high quality graphite nut or to use some graphite grease on the notch of the nut in order to decrease friction. Remember to properly wind the strings and use quality strings.



Gitary Mayones s.c.
ul. Narwicka 10, 80-557 Gdansk
Poland
tel. +48 58 343 07 83 fax +48 58 343 04 35
international@mayones.com
www.mayones.com

Now tune the “D” note:

Flip the thumb lever down to the “D” position. Check your tuning. If your string is out of tune, flip the thumb lever back to the “E” position and adjust the small “D” tuning screw. Do not turn the tuning peg!

If the pitch is too high – turn the tuning screw counter-clockwise, increasing the distance between its head and the head of the lever axis screw.

If the pitch is too low – turn the tuning screw clockwise, decreasing the distance between its head and the head of the lever axis screw.

Flip the lever down to the “D” position and recheck your tuning. Repeat this procedure until “D” is in tune. Note: on many guitars, the string may actually be tuned down as far as low “C”.

The above sounds harder than it really is. With a little practice it will become second nature and will take only a few seconds.

Every time you turn the tuning peg, you must give the thumb lever one quick flip down and up to set the string and give you the true tuning of the string.

Your new Hipshot will provide you with high accuracy in tuning and retuning. The finest hardware and materials have been selected to insure high reliability for many years.